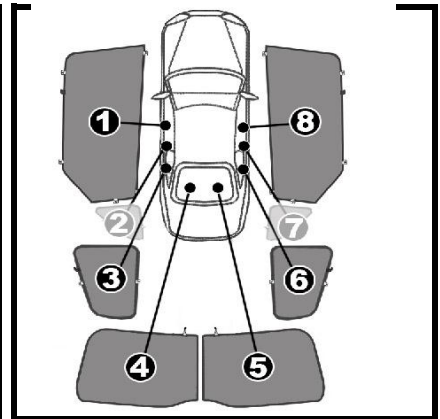


INSTALLATION INSTRUCTIONS

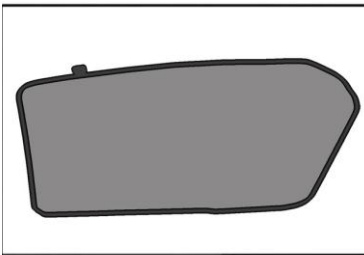
MERCEDES G CLASS 5 DOOR

MB-GCLS-5-A

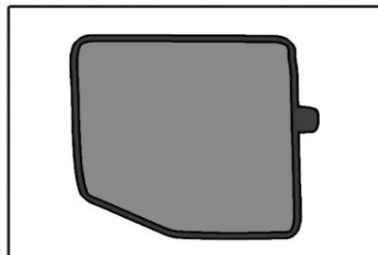


COMPONENTS INCLUDED

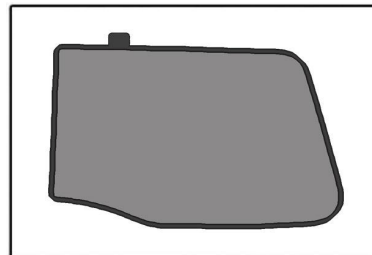
SHADES



1+8



3+6



4+5

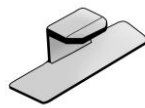
FIXING CLIPS



CL-M02 x6

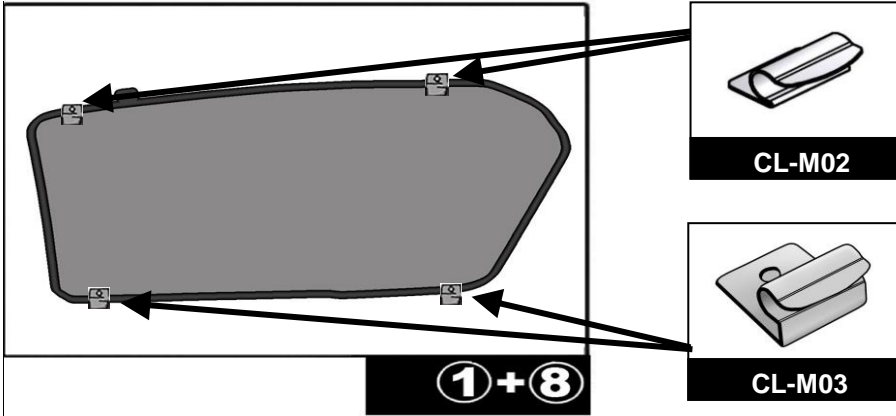


CL-M03 x4

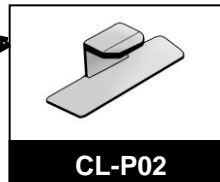
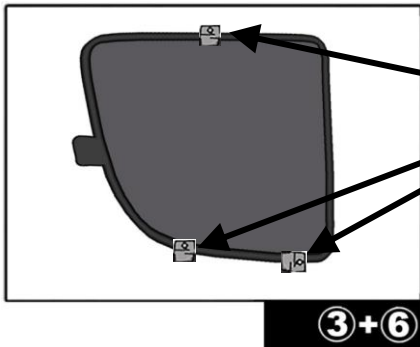


CL-P02 x4

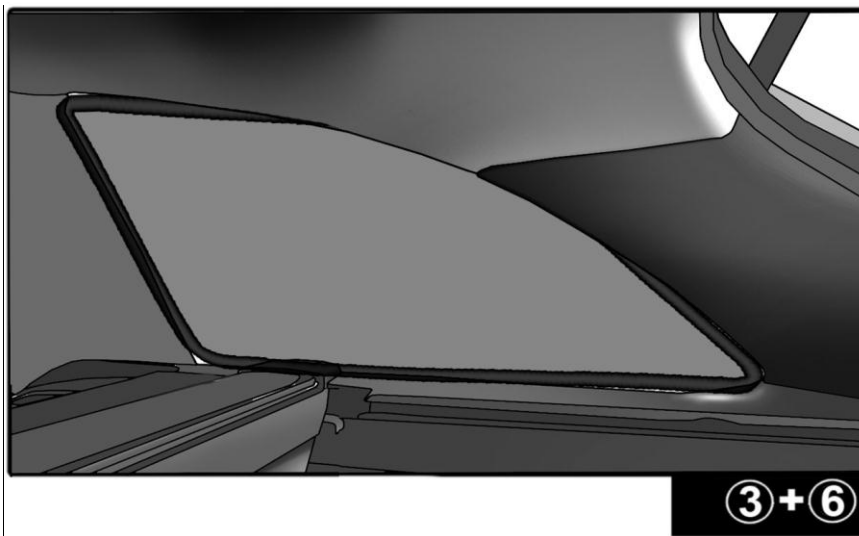
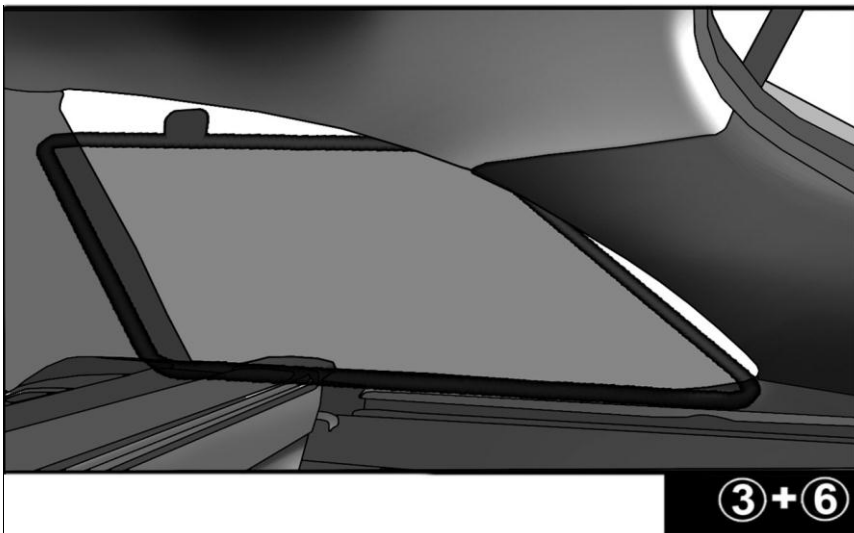
SIDE SHADE INSTALLATION



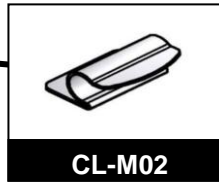
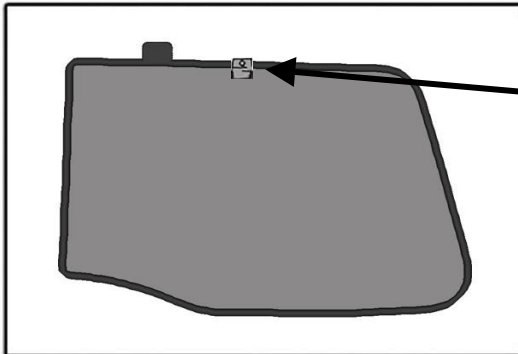
QUARTER LIGHT SHADE INSTALLATION



Please ensure that the surface area is cleaned before applying clips

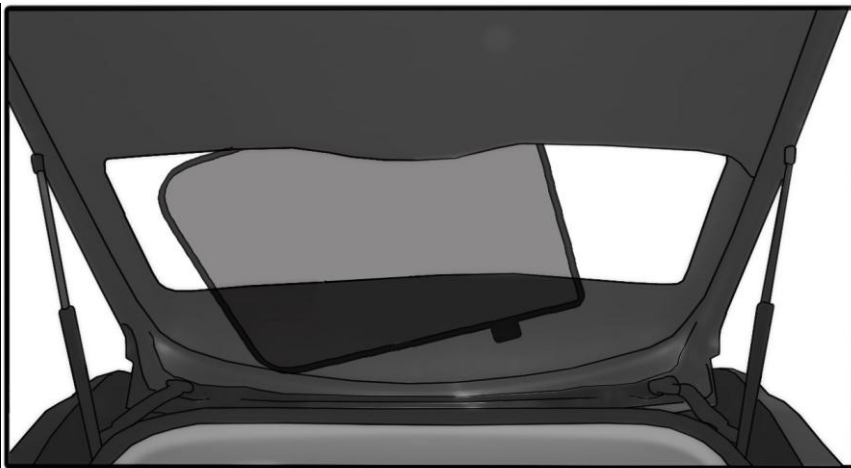


REAR SHADE INSTALLATION

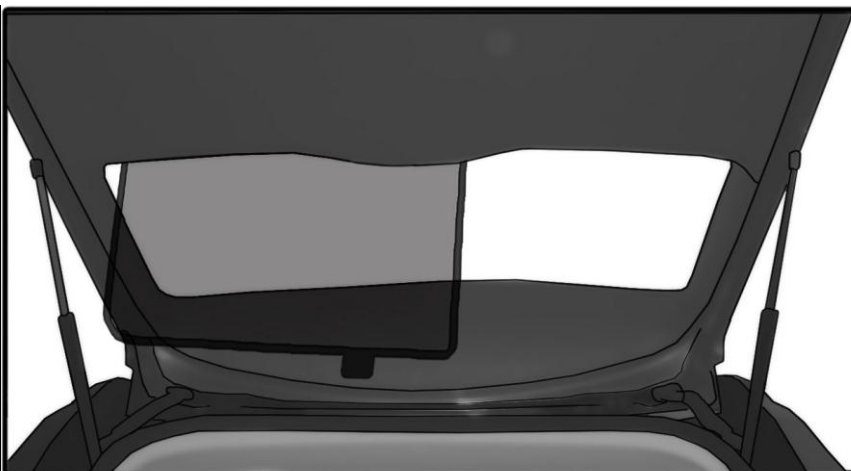


CL-M02

④+⑤

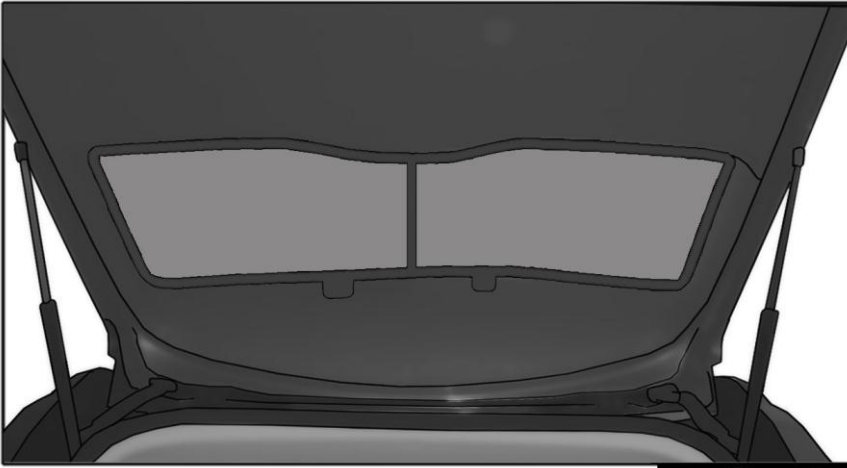


④+⑤



④+⑤

REAR SHADE INSTALLATION



④+⑤