

NEW RAIL-PRO

ALU

**ALLUMINIO - ALUMINIUM
ALUMINIUM - ALUMINIO**



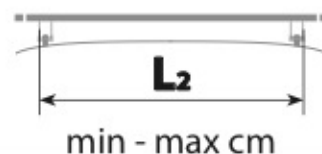
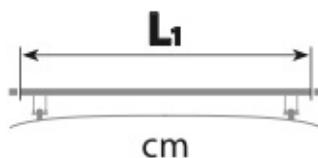
MAX **100** KG

TUV
SÜD

GS
geprüfte
Sicherheit

TESTATO E CERTIFICATO - TESTED AND APPROVED
GEPÜFT UND ZERTIFIZIERT

Misura / Size
Größe



Art. **N15034**

S

108

72 - 100,5

Art. **N15035**

M

120

96 - 112,5

Art. **N15036**

L

127

103 - 119,5

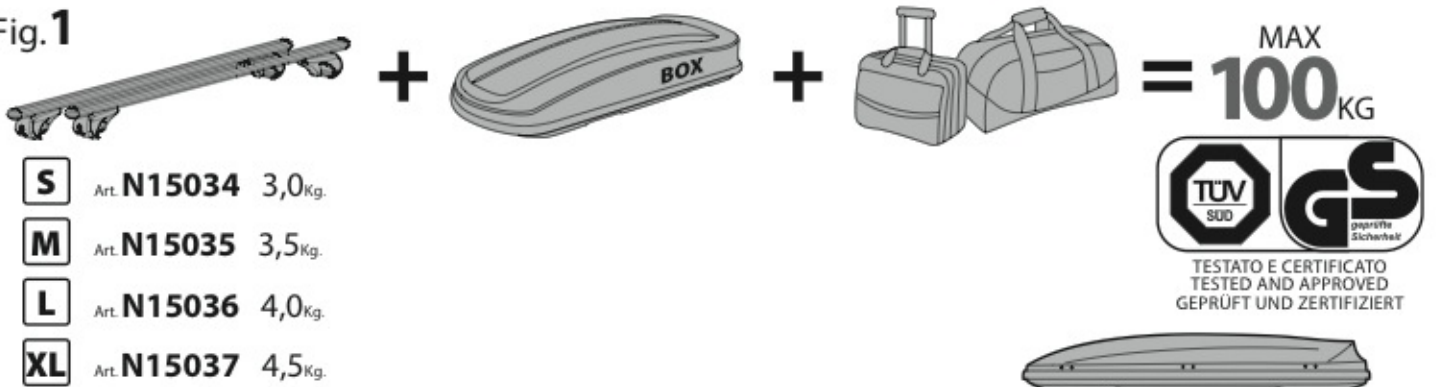
Art. **N15037**

XL

140

104 - 132,5

Fig.1



max: ???Kg.

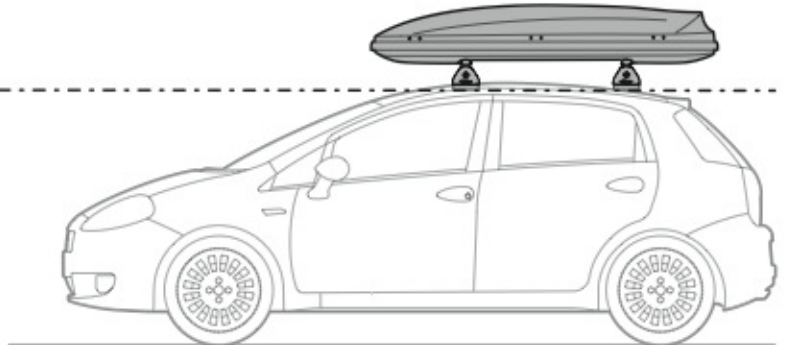


Fig.2

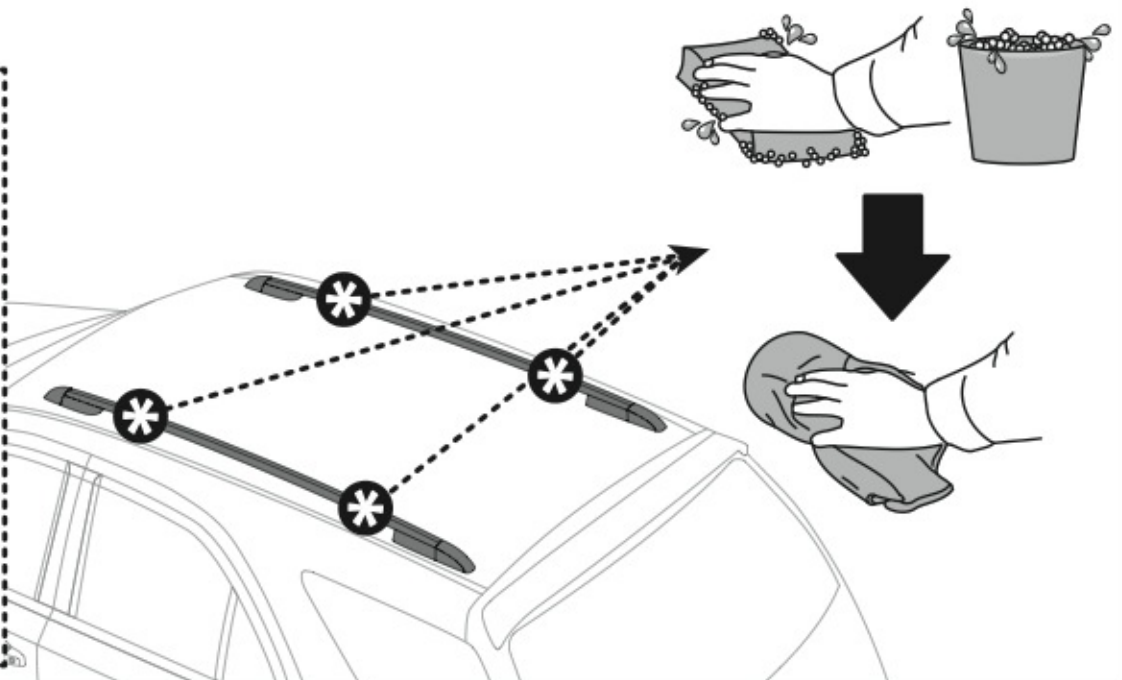


Fig.3

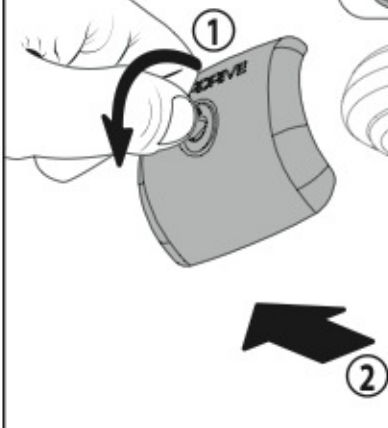
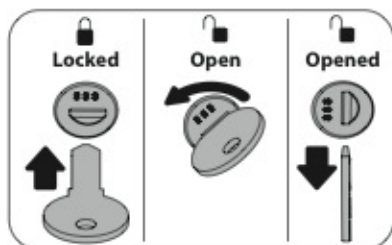


Fig.4

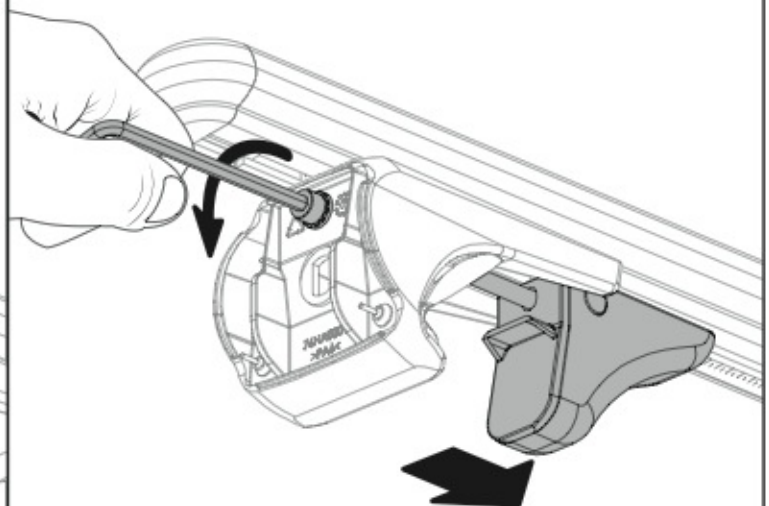


Fig.5

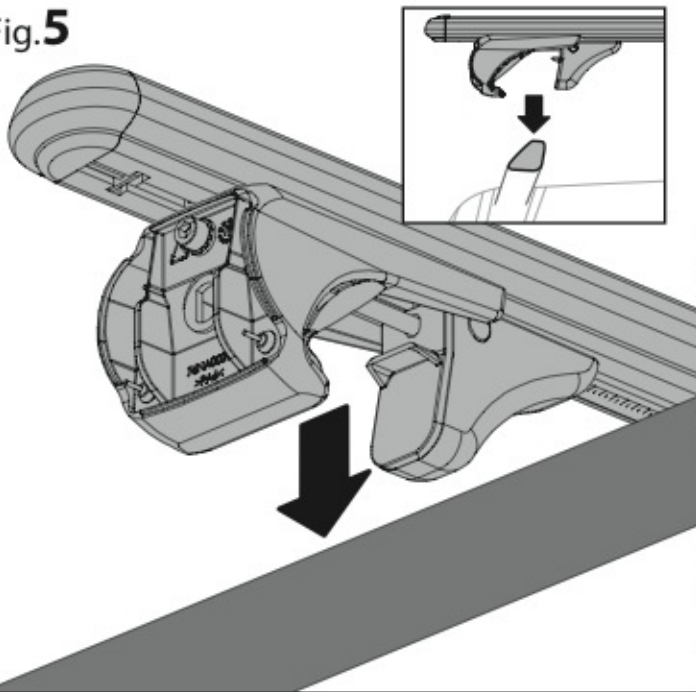


Fig.6

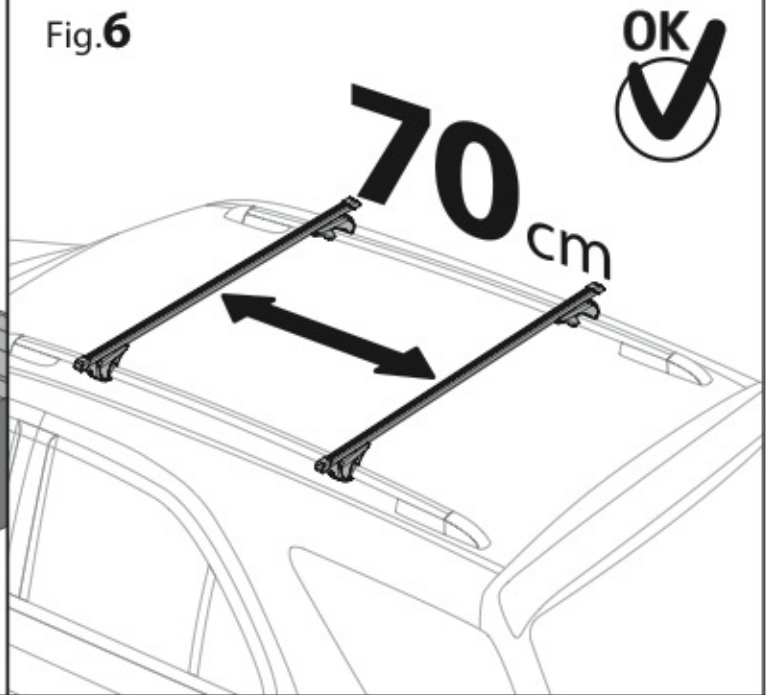


Fig.7

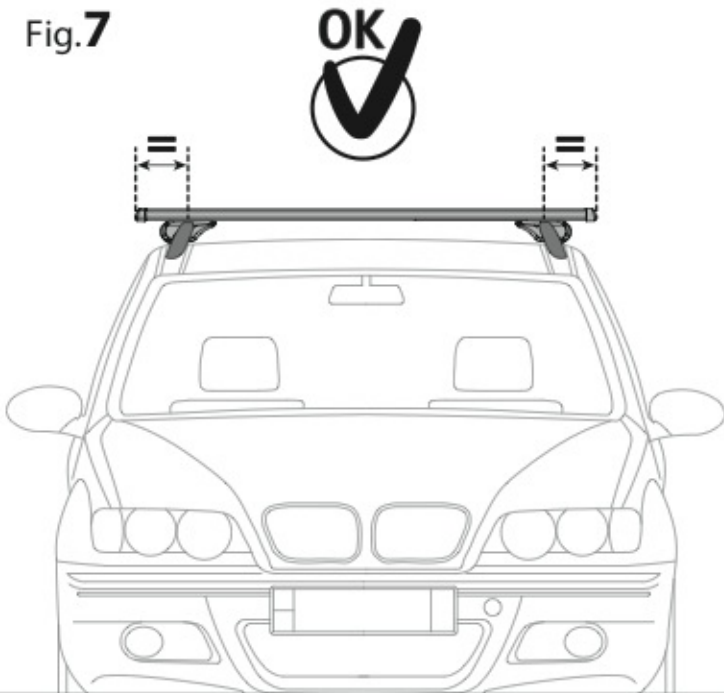


Fig.8

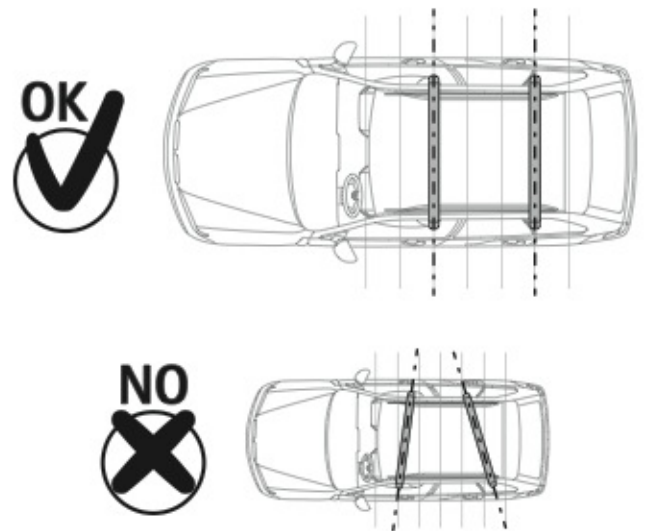


Fig.9

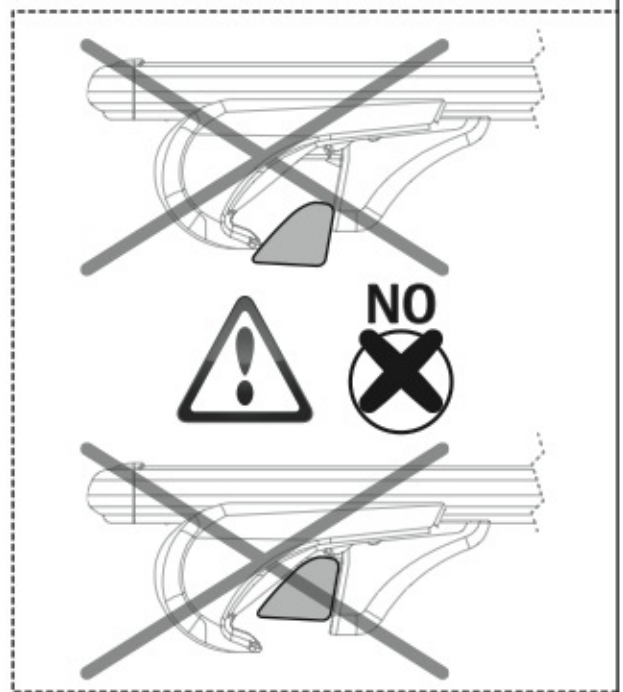
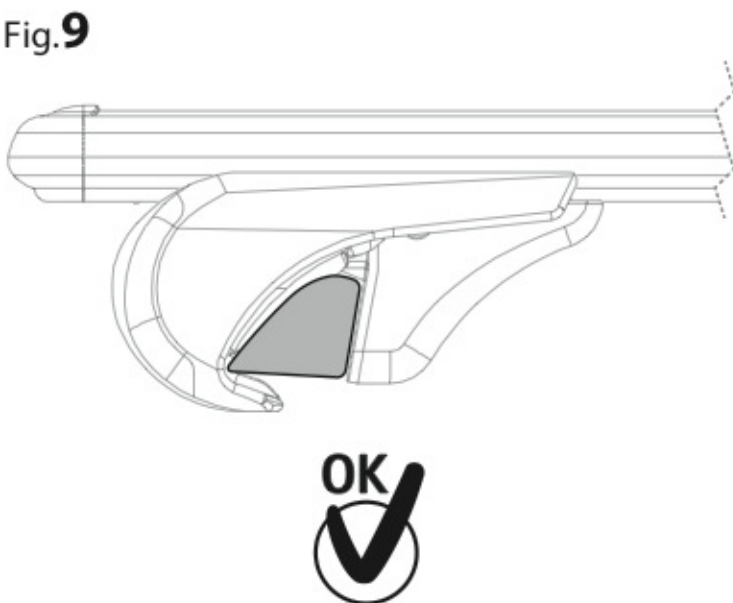


Fig. 10

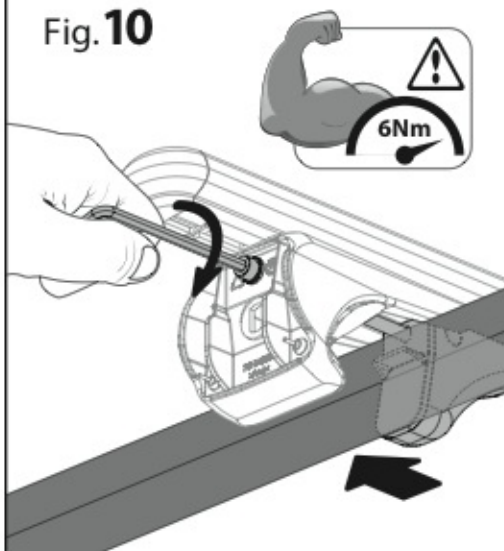


Fig. 11

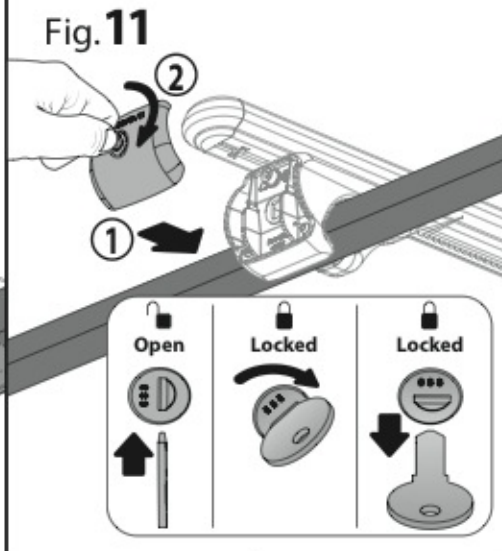


Fig. 12

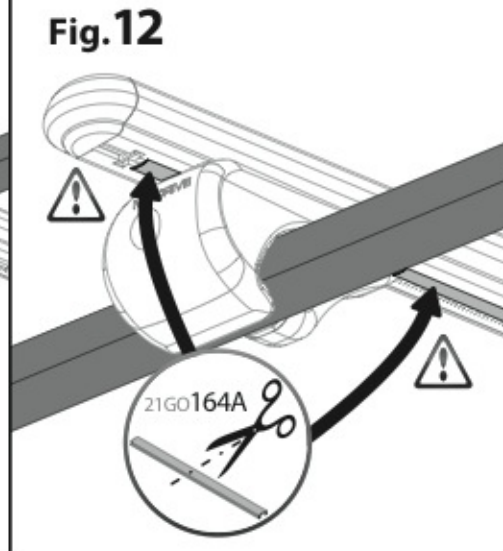


Fig. 13

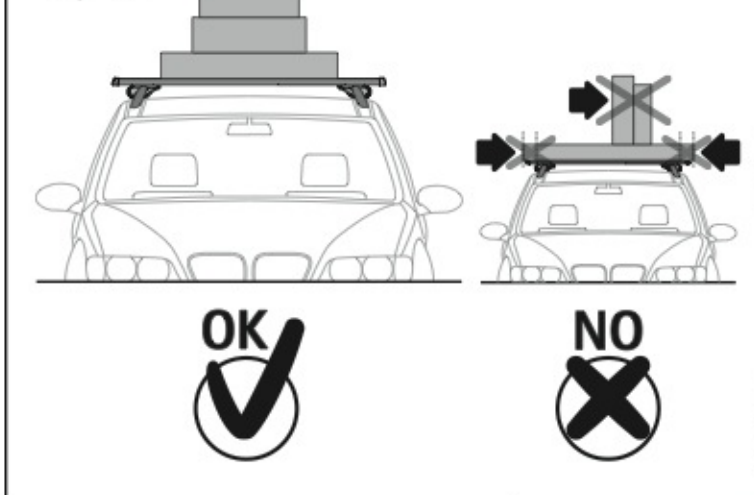


Fig. 14

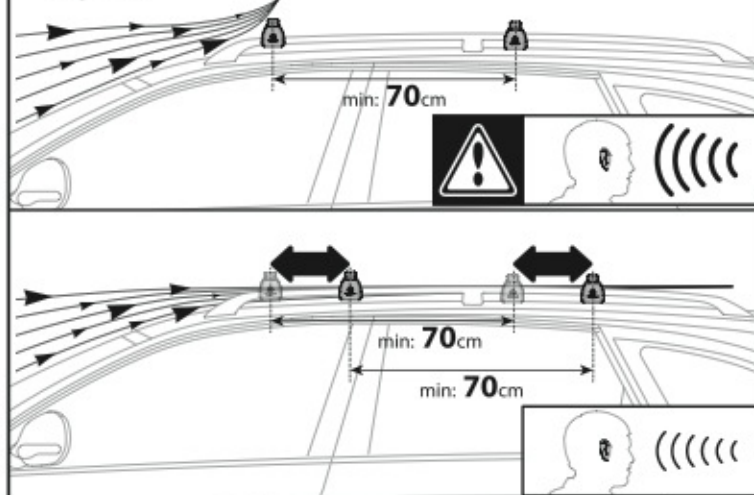


Fig. 15

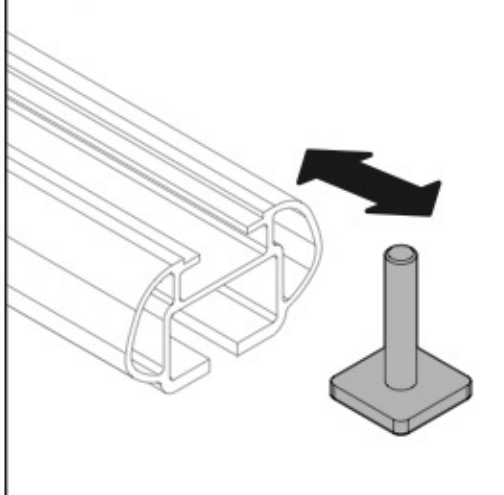


Fig. 16

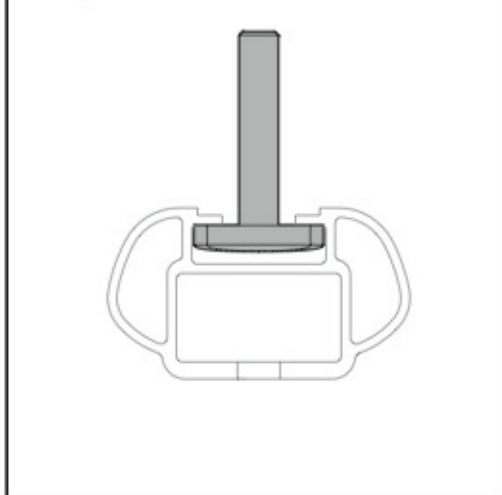
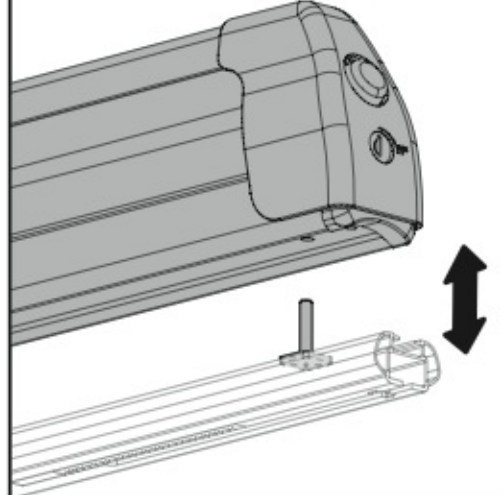


Fig. 17



NORDRIVE
TRANSPORT SOLUTIONS

is a registered trademark of

LAMPA S.p.A.

46019 Viadana (MN) ITALY

Ditta certificata UNI ENI ISO 9001:2008

www.nordrive.it www.lampa.it